



- ST9
- ST45
- ST9-S
- ST9-SS

**SAR★USA**  
by **SARSILMAZ**

## **ST9** **SEMI-AUTOMATIC PISTOL**

**USER MANUAL**  
**MAINTENANCE & SPARE PARTS LIST**

**⚠ WARNING**

SARSILMAZ disclaims any and all liability arising out of the use of any SARSILMAZ products contrary to instructions or regulations; (ii) without caution; (iii) by any parties other than the license holder; (iv) through making unauthorized or illegal modifications thereon; (v) utilizing non-standard or out of spec cartridges; (vi) under maintenance or repair services rendered by unauthorized persons; or (vii) under any similar conditions whatsoever. SARSILMAZ excludes all liability for any injuries or property damages arising from the malicious or negligent use of products.

**⚠ WARNING**

All pictures, photos and definitions in this Manual are provided only for information purposes. The manufacturer reserves its right to apply changes to any models any time without prior notice as deemed necessary for improving the products or in line with any manufacturing or commercial requirements.

# CONTENTS

1. GENERAL PRECAUTIONS .....	4	5. ADJUSTMENTS .....	18
2. GENERAL RULES FOR SAFETY .....	5	5.1. ADJUSTMENT OF FRONT AND REAR SIGHTS.....	18
3. PRODUCT AND FEATURES IDENTIFICATION .....	8	6. MAINTANENCE AND CLEANING.....	19
3.1. SUPLIED COMPONENTS .....	8	6.1. MAINTANENCE AND CLEANING KIT .....	19
3.2. MAIN PRODUCT FEATURES .....	8	6.2. DISASSEMBLING YOUR FIREARM .....	19
3.3. BASIC PARTS.....	9	6.3. MAINTENANCE AND CLEANING OF YOUR FIREARM	21
3.4. TECHNICAL DATA and FEATURES.....	11	6.4. ASSEMBLING YOUR FIREARM .....	23
4. PUTTING YOUR PRODUCT INTO SERVICE .....	12	6.5. INSPECTION OF FUNCTIONS.....	24
4.1. PRELIMINARY PREPERATION.....	12	6.6. MAINTENANCE OF YOUR MAGAZINE.....	25
4.2. INSPECTING YOUR PISTOL.....	12	6.6.1. DISASSEMBLING YOUR MAGAZINE.....	25
4.3. AMMUNITION.....	13	6.6.2. CLEANING YOUR MAGAZINE.....	26
4.4. FIRING.....	14	6.6.3. ASSEMBLING YOUR MAGAZINE.....	26
4.4.1. CHECKS AND SAFETY BEFORE FIRING .....	14	7. TROUBLESHOOTING.....	27
4.4.2. LOADING YOUR MAGAZINE .....	14	8. EXPLODED VIEWS AND PART LISTS.....	28
4.4.3. LOADING YOUR FIREARM .....	15	8.1. ST9 EXPLODED VIEW .....	28
4.4.4. SETTING YOUR LINE OF FIRE .....	15	8.2. ST45 EXPLODED VIEW .....	30
4.4.5. FIRING.....	16	8.3. ST9-S / ST9-SS EXPLODED VIEW .....	32
4.4.6. RELOADING YOUR FIREARM.....	17		
4.4.7. UNLODAING YOUR MAGAZINE.....	17		
4.5. SECURING YOUR FIREARM .....	17		
4.5.1. UNLOADING YOUR FIREARM .....	17		

## 1. GENERAL PRECAUTIONS

Read the instructions and warnings in this manual carefully before handling SARSILMAZ products for any purposes. As a prerequisite for SARSILMAZ products you must be familiar with and follow the information provided in this manual. Please read the instructions for safety and use thoroughly and carefully before handling the firearm. If you need any further information, please consult your dealer or the factory.

Please observe the laws of your region and/or your country governing the purchasing, handling, and use of firearms. All firearms are dangerous. Therefore, it is your responsibility to always comply with all instructions for use.

SARSILMAZ disclaims in advance any and all responsibility for any technical damage and/or other consequences whatsoever that may be caused by; the misuse of the product, including any property damage or injury/death arising in relation to the following:

- Always keep the muzzle pointed in a safe direction.
- Firearms should be unloaded and secured when not in use.
- Do not rely on your firearm's safety.
- Be sure of your target and what is beyond it.
- Make sure that your ammunition matches the caliber or gauge of your gun.
- If your pistol fails to fire when the trigger is pulled, IMMEDIATELY REMOVE FINGER FROM TRIGGER, keep muzzle pointed in a safe direction, pull slide back to eject faulty cartridge. Once faulty cartridge is ejected, continue firing. It is your responsibility to ensure that you are in compliance with all applicable laws and ordinances regarding the use of your firearm.
- Other factors beyond our control.

## 2. GENERAL RULES FOR SAFETY

### 2.1. ALWAYS KEEP YOUR FIREARM POINTED IN A SAFE DIRECTION.

Never point a firearm at yourself or anyone. This is particularly important when loading or unloading the firearm. Always be aware of what is behind your target. If you miss or hit your target, it is your responsibility to ensure your shot will not cause unexpected injuries or damages.

### 2.2. ALWAYS TREAT EVERY FIREARM AS IF IT IS LOADED.

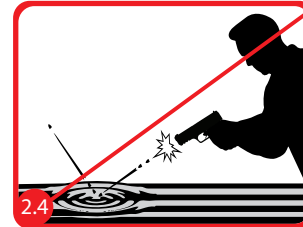
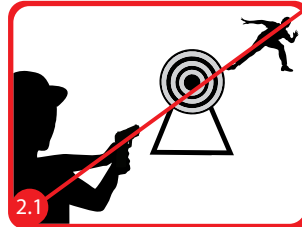
Do not take anyone's word that the firearm is unloaded – always check for yourself. Assume your firearm is ready to fire unless you have visually checked that the firearm is unloaded.

### 2.3. HIDE YOUR GUN OUT OF CHILDREN'S SIGHT, REACH AND ACCESS.

It is your responsibility that your firearm is not accessible to children and other unauthorized persons. It is highly recommended that you store your firearm unloaded and secured with ammunition stored separately. This will ensure minimizing the risk of accidents involving children and unauthorized persons.

### 2.4. NEVER SHOOT AT HARD SURFACES OR WATER.

Shooting at water or hard surfaces can cause changes in the direction of the bullet which may result in injuries of your own, others, and/or property damage.



**2.5. NEVER USE ALCOHOL OR DRUGS WHILE HANDLING OR SHOOTING A FIREARM.**

Do not use your firearm if you are impaired by alcohol, drugs, and/or medications that will hinder your physical and mental abilities.

**2.6. FOLLOW PROPER MAINTENANCE PROCEDURES FOR YOUR FIREARM**

Before loading the barrel, always check to see if it is completely clean (completely free from any obstructions such as dirt, mud, oil, ammunition or ammunition residuals). Shooting against an obstruction can cause an increase in pressure and may damage your firearm and cause injury to yourself and others. If the operation of your handgun has changed the way it sounds, stop firing, make sure the firearm is pointed in a safe direction, and unload the firearm. Check the chamber and barrel bore for any failure.

Using incorrect types or calibers of ammunition may cause the firearm to jam.

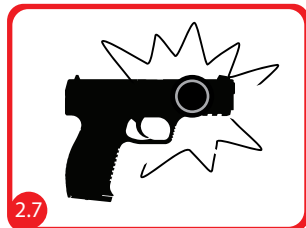
In order to prevent accumulation of dirt or dust on operating parts, store your firearm in its original case once properly cleaned. Lubricate and clean your gun after every use following the instructions in order to avoid any corrosion, barrel damage, and dirt.

**2.7. USE PROPER AMMUNITION.**

Only use factory-loaded ammunition that is newly manufactured within industrial specifications. Ensure all cartridges used are compatible with the caliber and type of your firearm. Avoid using MP5 bullets!

**2.8. ALWAYS WEAR SAFETY GLASSES AND EAR PROTECTION SPECIFIED FOR FIREARM USE.**

A shooter should always wear impact-resistant safety glasses and ear protection when using any firearms to prevent hearing and sight damage.



## **2.9. OBSERVE THE RULES!**

Observe all local and general rules regarding the handling, use and transportation of firearms.

### **2.10. ENSURE THAT YOU HAVE A FULL UNDERSTANDING OF THE SAFETY FEATURES OF YOUR PISTOL.**

Never rely on only the safety to prevent accidents. It is your obligation to make yourself familiar with and utilize the safety features of your gun. The best way to prevent accidents is to follow the rules for safety and safe handling procedures defined in the product manual.

**2.11. NEVER ALLOW A FIREARM TO BE USED BY INDIVIDUALS THAT DO NOT UNDERSTAND ITS SAFE OPERATION OR HAVE NOT READ THESE FIREARM SAFETY RULES.**

**2.12. NEVER LEAVE A FIREARM UNATTENDED AND IN REACH OF AN UNAUTHORIZED PERSON. THIS MAY RESULT IN THEFT OR MAY EVEN POSE A THREAT TO OTHERS, CAUSING DAMAGE OR EVEN DEATH. ALL RESPONSIBILITY WILL BE YOURS.**

**2.13. IT IS IMPERATIVE THAT YOU KEEP YOUR FIREARM UNLOADED IN A SAFE AND SECURED LOCATION.**

**2.14. NEVER ATTEMPT TO REMOVE AN OBSTRUCTED PROJECTILE IN THE BARREL BORE THROUGH FIRING ANOTHER ONE. UNLOAD FIREARM AND SEEK A QUALIFIED GUNSMITH.**

**2.15. MAKE SURE YOU ARE FAMILIAR WITH THE OPERATIONS BEFORE USING AND LOADING THE FIREARM.**

**2.16. ALLOW ONLY AUTHORIZED/QUALIFIED GUNSMITHS TO UNDERTAKE REPAIR PROCEDURES.**

**2.17. IT IS BOTH DANGEROUS AND FORBIDDEN TO MAKE MECHANICAL MODIFICATIONS ON ANY PART OF THE FIREARM. PLEASE NOTE THAT ANY MODIFICATIONS WILL EXCLUDE THE ENTIRE FIREARM FROM WARRANTY.**

**2.18. USER OF THE FIREARM SHOULD STAND AT A REASONABLE DISTANCE FROM OTHER PERSONS. AVOID**

**2.19. SQUEEZING THE TRIGGER IN EXCESS.**

### 3. PRODUCT AND FEATURES IDENTIFICATION

#### 3.1. SUPLIED COMPONENTS

The package supplied includes;

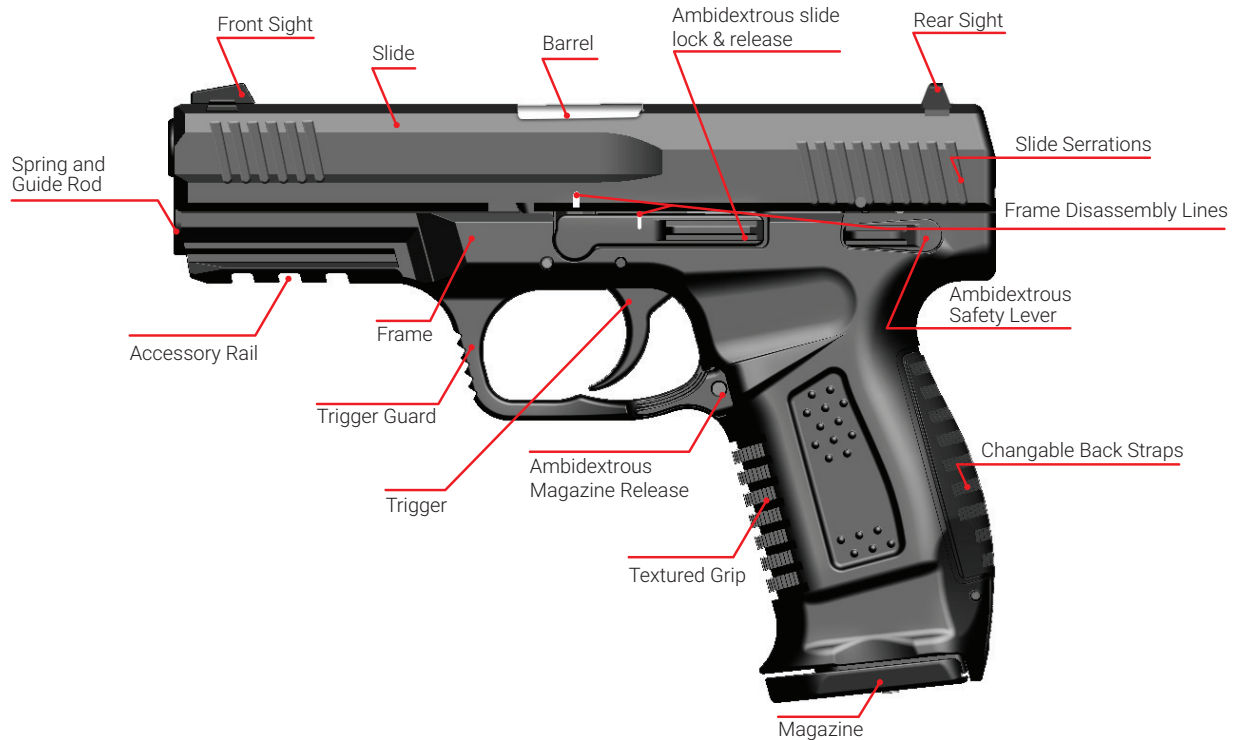
- 1 pistol case
- 1 pistol
- 2 magazine
- 1 manual
- 1 maintenance / cleaning kit
- 1 gun lock

#### 3.2. MAIN PRODUCT FEATURES

Sarsilmaz firearms are being manufactured with state of the art equipment. This experience was gained by producing them for shooters, police, and military services. With the layout and ergonomics of these firearms and the ability to interchange back straps providing you with a preferable grip, this allows for quick and easy sight alignment. The firearms are also fully equipped with ambidextrous controls for both right and left-handed shooters.

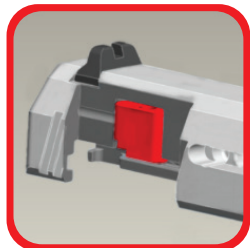


### 3.3. BASIC PARTS



## ADDITIONAL FEATURES

SARSILMAZ is producing Semi-Automatic firearms, which are especially preferred by military and police services. When compared with its competitors, SARSILMAZ differs from the others with its high performance and quality control.



Firing Pin Safety



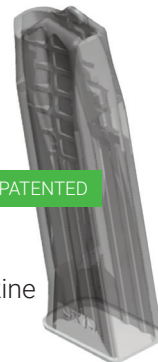
Accessory Rail



Striker Status Indicator



3 size changeable  
back straps



Polymer Magazine



Complete with ambidextrous controls.

### 3.4. TECHNICAL DATA and FEATURES

MODEL	ST9	ST45	ST9-S	ST9-SS
CALIBER	9x19 mm	.45 ACP	9x19 mm	9x19 mm
MECHANISM	Single Action	Single Action	Single Action	Single Action
CAPACITY	15 / 17	12	15 / 17	15 / 17
BARREL LENGTH	4.5"	4.5"	4.5"	4.5"
OVERALL LENGTH	7.8"	7.8"	7.8"	7.8"
OVERALL HEIGHT	5.8"	5.8"	5.8"	5.8"
OVERALL WIDTH	1.2"	1.2"	1.2"	1.2"
WEIGHT	29 oz	31 oz	29 oz	29 oz
SPECIFICATIONS	Polymer Frame, Alloyed Forged Steel & Forged Stainless Steel Barrel and Slide Adjustable Rear Sight Manual Safety and Firing Pin Block Picatinny Rail Fully Ambidextrous 3 Size Changeable Back Straps Fully Polymer 9 mm Transparent Magazine Loaded Chamber Indicator	Polymer Frame, Alloyed Forged Steel & Forged Stainless Steel Barrel and Slide Adjustable Rear Sight Manual Safety and Firing Pin Block Picatinny Rail Fully Ambidextrous 3 size changeable back straps Steel magazine Loaded Chamber indicator	Polymer Frame, Alloyed Forged Steel & Forged Stainless Steel Barrel and Slide Adjustable Rear Sight Manual Safety and Firing Pin Block Picatinny Rail Fully Ambidextrous 3 Size Changeable Back Straps Fully Polymer 9 mm Transparent Magazine Loaded Chamber Indicator	Polymer Frame, Alloyed Forged Steel & Forged Stainless Steel Barrel and Slide Adjustable Rear Sight Manual Safety and Firing Pin Block Picatinny Rail Fully Ambidextrous 3 Size Changeable Back Straps Fully Polymer 9 mm Transparent Magazine Loaded Chamber Indicator

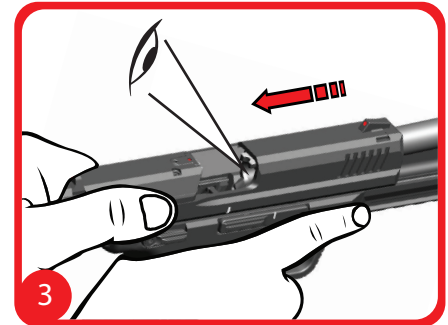
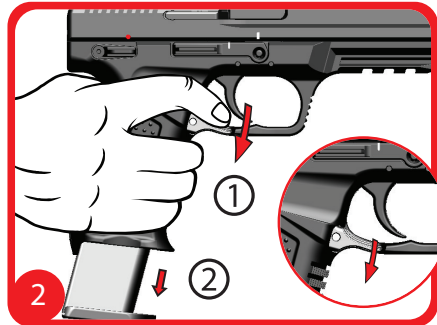
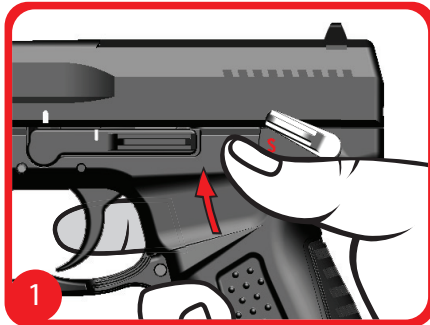
## 4. PUTTING YOUR PRODUCT INTO SERVICE

### 4.1. PRELIMINARY PREPERATION

Firearms are generally protected with oil film on it. Before using your firearm, clean your firearm and make sure the barrel doesn't have any excess oil. If there is excess oil, remove it by using a bore mop or patches to push through the barrel.

### 4.2. INSPECTING YOUR PISTOL

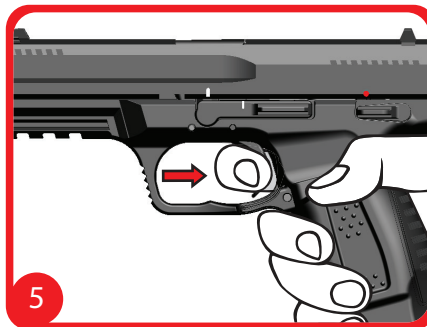
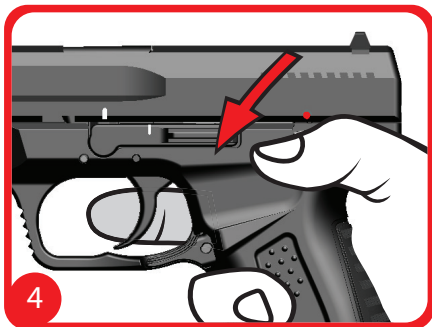
- a. Make sure you understood how the safety works before you load or use the pistol. (Figure 1)
- b. Depress the magazine release and remove the magazine. (Figure 2)
- c. Pull the slide to the rear, check to see that the chamber is clear and the bore is not obstructed. (Figure 3)



- d. Push the manual safety lever to FIRE position once assured that the firearm is not loaded. (Figure 4)
- e. Push the manual safety lever to the SAFE position. Pull the trigger while pointing the gun in a safe direction (Figure 5). **Make sure that the firing pin does not drop.**
- f. Set the safety to FIRE, grip the pistol firmly and pull the trigger. Your firing pin should release during this step
- g. Move the safety lever to SAFE position again.

### 4.3. AMMUNITION

- Use only quality factory ammunition.
- Make sure that the caliber of the ammunition is compatible with your firearm (i.e. if your pistol is marked 9x19 your ammunition should coincide with 9 mm ammunition).
- Using over pressured cartridges or hand loads may not only cause damage to the firearm which will void the warranty but also can cause injury to yourself and/or bystanders.



## 4.4. FIRING

### 4.4.1. CHECKS AND SAFETY BEFORE FIRING

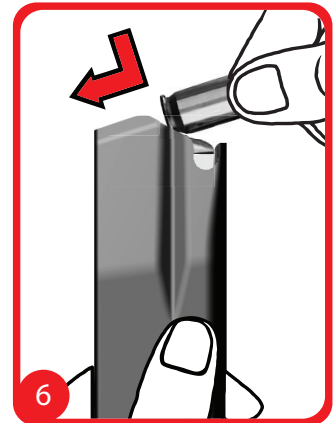
- Always keep the firearm pointed in a safe direction.
- Keep your fingers off the trigger and out of the trigger guard until you're ready to shoot.
- Before loading be sure that any excess oil on the firearm is removed. Check to see that the chamber is clear (by pulling the slide to the rear) and the bore is not obstructed.
- It is not recommended that you load or unload your firearm anywhere other than a safe and designated area.
- Do not rely on the safety systems. Be sure you have read the manual carefully and understand it completely.

### 4.4.2. LOADING YOUR MAGAZINE

- a. Hold the magazine with your non-dominant hand.
- b. With your dominant hand, place a cartridge on the follower in front of the lips, press down and slide the cartridge completely back under the lips.
- c. Repeat until the magazine is fully loaded. (Figure 6)

#### **⚠ WARNING**

Do not try to force more than maximum indicated rounds into the magazine.

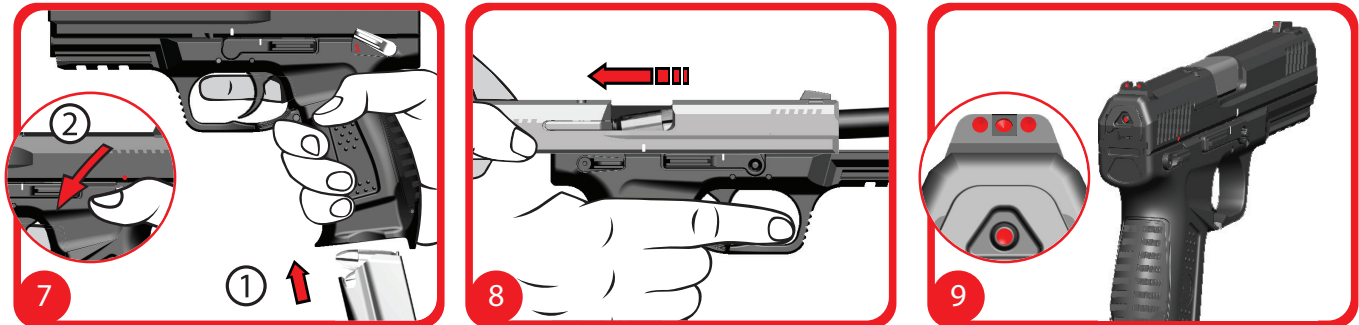


#### 4.4.3. LOADING YOUR FIREARM

- a. Make sure your safety is engaged and finger is off the trigger. Push the magazine up into the magazine well until the magazine catch engages and locks the magazine in place. This can be accomplished with the slide locked in the rear position or with the slide in the closed position. (Figure 7)
- b. While the slide is closed, pull the slide to the rearward position. Release the slide and allow it to go forward into the close position. The slide will automatically take the cartridge from the magazine and load it into the chamber. If magazine is inserted while the slide is locked in the rear position, release the slide by using the slide release or by pulling rearward on the slide and releasing it. Do not allow your hand to follow the slide back. Let it go freely. (Figure 8)
- c. The firearm is now loaded and ready to fire. Always remember to keep the muzzle pointed in a safe direction while handling your firearm.

#### 4.4.4. SETTING YOUR LINE OF FIRE

The proper sight picture can be seen in Figure 9.

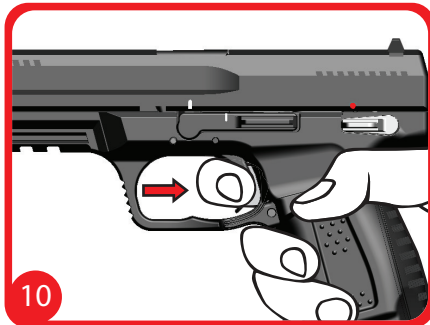


**⚠ WARNING**

The slide of this pistol moves to the rear forcefully. Make sure to have correct hand placement before releasing slide as seen in figure 7.

**4.4.5. FIRING**

- Put your finger on the trigger then pull slowly. (Figure 10)
- Do not move from your target/shooting area until you have completed a safety check and made sure firearm is unloaded.
- When the last round in the magazine is expended, the slide will be locked back in the open position by the slide lock&release.
- Depress the magazine release button and remove the magazine.
- Insert a loaded magazine, making sure it is engaged. Then release the slide by; pressing down on the slide lock&release or by pulling back on the slide and release. (Figure 11)
- Ensure the firearm is pointed in a safe direction at all times.



#### 4.4.6. RELOADING YOUR FIREARM

After finishing all shootings check again the chapters “LOADING THE MAGAZINE” and “LOADING THE PISTOL”.

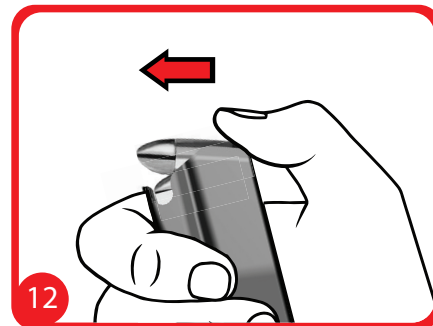
#### 4.4.7. UNLOADING YOUR MAGAZINE

In order to remove cartridges from the magazine, grip the magazine while using your thumb to unload. (Figure 12)

#### 4.5. SECURING YOUR FIREARM

##### 4.5.1. UNLOADING YOUR FIREARM

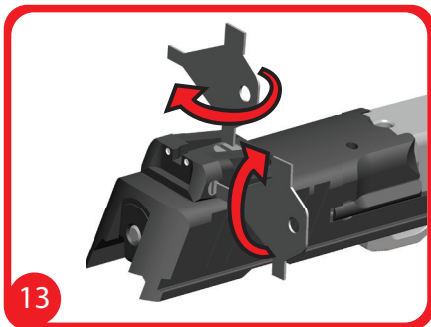
- The magazine is loaded and one is in the chamber.
- Point the muzzle of the firearm in a safe direction.
- Depress the magazine release and remove the magazine.
- Pulling rearward on the slide will eject the live round from the chamber.
- Rack the slide multiple times to ensure the chamber is empty.
- While holding the slide in the rearward position, engage the slide release to lock open.
- Visually check the chamber to be sure it is empty.



## 5. ADJUSTMENTS

### 5.1. ADJUSTMENT OF FRONT AND REAR SIGHTS

- a. You may adjust rear-sight for windage and elevation on models that are adjustable. (Figure 13)
- b. You cannot adjust front-sight if it is fixed. (Figure 14)



## 6. MAINTENANCE AND CLEANING

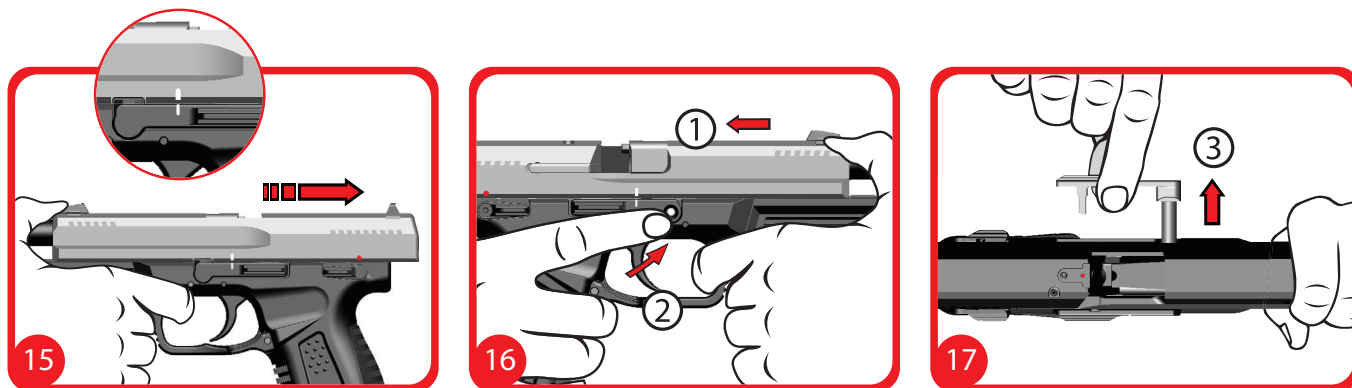
### 6.1. MAINTENANCE AND CLEANING KIT

Maintenance and cleaning kit given with the firearm consist of the following:

- Bristle Brush
- Orlon Brush
- Cleaning Rod

### 6.2. DISASSEMBLING YOUR FIREARM

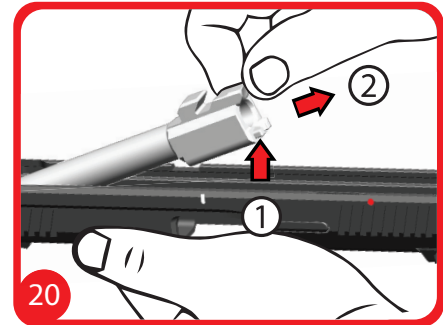
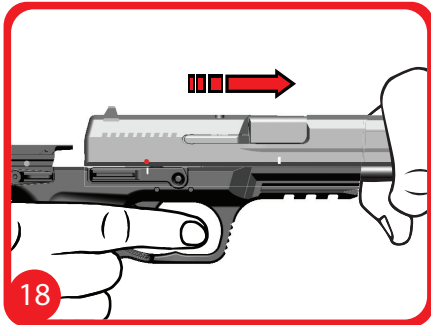
Good knowledge about the use and maintenance of your firearm is very important. Many of the shortcomings happen to occur from mistakes made during the gun maintenance. Cleaning, lubrication and protection are necessary and should receive special focus in order for the firearm to work properly and efficiently.



- a. Make sure that the firearm is unloaded. Before disassembling the firearm for cleaning, make sure the firearm is unloaded.
- b. Draw the slide to the rear. Make sure the dots on the left rear sides of the slide and frame are aligned one above the other. Press the slide stop down with the left thumb, and then press the exposed round tip of the slide stop. (Figure 15-16)
- c. Take the slide lock&release out of the frame to the left side of the firearm. (Figure 17)
- d. Make sure that the firearm points in a safe direction and then pull the trigger.
- e. Remove the slide from the frame. (Figure 18)
- f. Hold the slide upside part down. Retract the recoil spring and remove it. (Figure 19)
- g. Remove the barrel from the slide. (Figure 20)

**⚠ WARNING**

Only use disassembly for standard breakdown and common cleaning.



### 6.3. MAINTENANCE AND CLEANING OF YOUR FIREARM

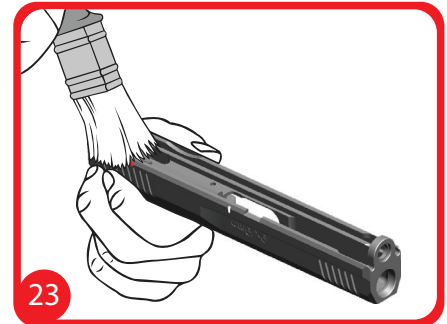
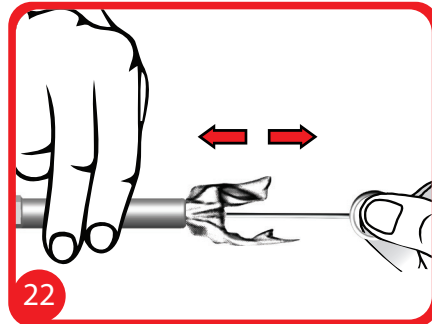
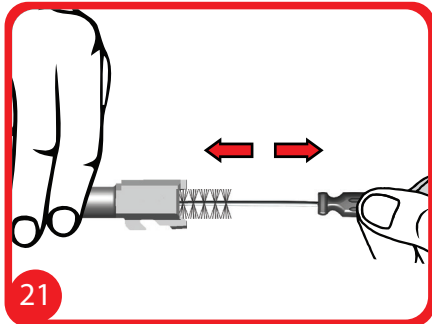
Be aware that proper cleaning and lubrication is essential for the reliable function, corrosion resistance, accuracy of the firearm and especially for your personal safety. All the experiences have shown that accidents mostly happen at the time of cleaning the pistol. After every use, cleaning and lubrication are recommended (especially the bore, which loses protective oils during firing). Excess oil and grease obstruction in the bore are very dangerous when firing and may cause damages to the firearm and serious injury to the shooter and by standers. Never spray oil to the cartridges.

Read and follow the manufacturer's warnings before using solvents and cleaners. Remember that you are responsible for the proper care and maintenance of your firearm.

- a. Be sure that the firearm is unloaded.
- b. In order to keep a firearm as possible as efficient it must be kept clean and covered with a slight of good quality oil to prevent corrosion. This is especially necessary after use.
- c. For cleaning after use it is important that all residues of powder be removed from barrel and other adjacent using an appropriate Bristle brush. If particles of lead are detected in barrel, they must be scrubbed with an Orlon Brush, drenched with oil. Once cleaned, lubrication should be done as picture described. **(Figure 21-22)**
- d. Wipe the slide assembly inside and out with a cloth or brush dampened with cleaning solvent to remove most of the dust and powder fouling. Carefully clean the slide rails as well. **(Figure 23)**

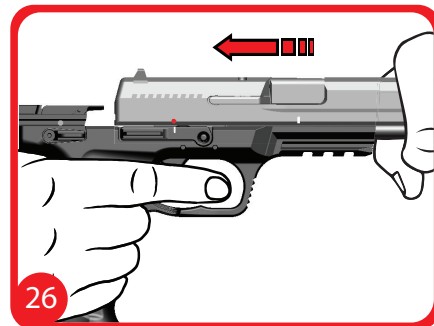
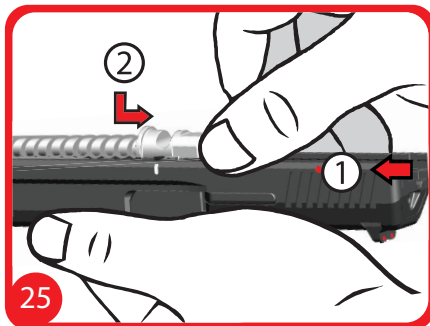
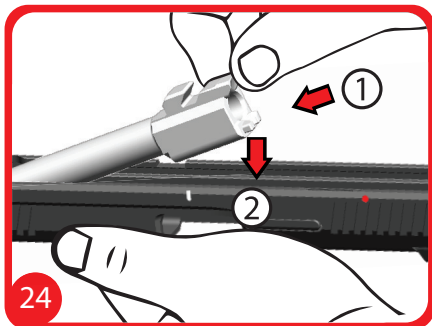
e. All external surfaces should be wiped down with a light coat of rust preventative. Avoid using too much oil as powder, dust, or other foreign material may be trapped in the oil. This could lead to congealed deposits, which may interfere with the safe and reliable operation of the pistol.

f. A pistol should be cleaned after firing. In addition, external parts should be wiped with an oiled cloth after handling. Light oil is ordinarily all that is necessary in cleaning if the pistol has not been fired or fired very little. If a pistol is used frequently, it must be cleaned after each use and regularly serviced by a professional gunsmith. If the pistol has been stored, remove all excess oil and/or grease before use. Always check that no cleaning patch or other obstruction remains in the bore or chambers before use.



## 6.4. ASSEMBLING YOUR FIREARM

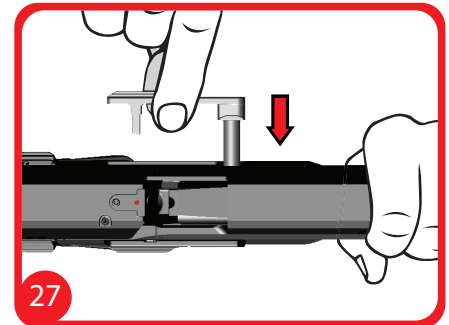
- Verify the pistol is clear of foreign matter. Insert the barrel into the slide. (Figure 24)
- Insert the recoil spring guide assembly into the slide. (Figure 25)
- Guide the slide onto the frame rails from the front. (Figure 26)
- Line up the frame disassembly lines and push in the slide lock&release.



- e. The slide lock release then can be depressed which allows the slide to go forward. (Figure 27)
- f. You should cycle the slide several times, with no magazine inserted and no rounds in the chamber, to insure that the barrel/slide/frame is working correctly.

## 6.5. INSPECTION OF FUNCTIONS

- The function check is performed on the assembled pistol to verify functionality. It should be performed after the completion of repairs, each cleaning and assembly of the pistol.
- Verify the magazine is removed – visually and physically confirm the pistol is unloaded before attempting disassembly or performing any maintenance steps.
- Check the recoil spring function/slide travel. Retract the slide fully and release
- Verify the slide locks fully in the closed position. Repeat the procedure.
- Check the trigger mechanism; Pull the trigger fully to the rear.
- As the trigger is pulled rearward, verify the hammer cocks.
- At the end of Trigger move, the hammer should fall forward firmly and release. Verify the slide is locked to the rear by the slide lock & release. Depress the slide lock & release. Verify the slide is released and closes in the locked position. Remove the magazine.
- Inspect the magazine. Check the condition of the magazine tube. Verify the magazine floorplate is secured. Check free movement of the magazine follower and spring. Insert the magazine into the pistol and remove. Verify smooth insertion. Check the magazine catch for clean engagement and smooth release.



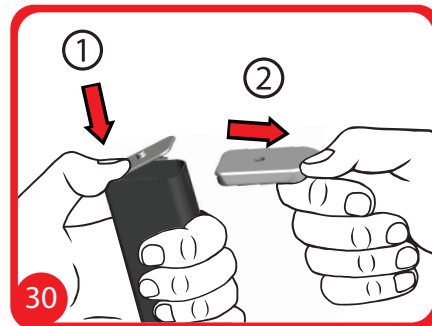
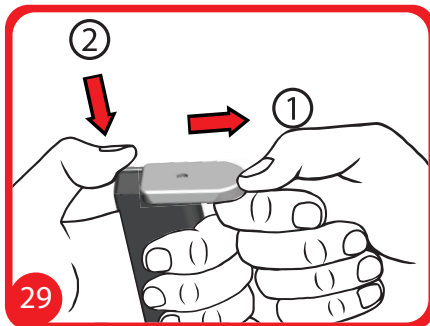
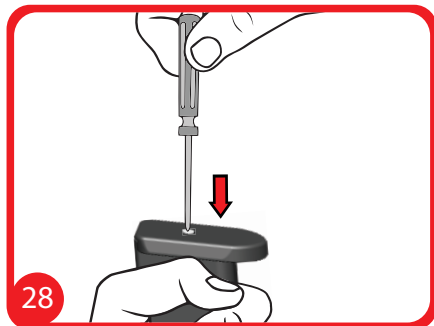
## 6.6. MAINTENANCE OF YOUR MAGAZINE

### 6.6.1. DISASSEMBLING YOUR MAGAZINE

- a. Make sure that the magazine is unloaded.
- b. Using a punch or other small rod, press the floorplate retainer. (Figure 28)
- c. Slide the floorplate half forward (Figure 29)
- d. Hold the floorplate retainer ease the floorplate retainer, magazine spring, and follower out of the magazine. (Figure 30)

#### ⚠ WARNING

The magazine spring is being compressed during assembly. Support the magazine floor plate retainer and magazine spring with your thumb to control magazine spring tension. Uncontrolled release can cause injury. Wear eye protection.



### 6.6.2. CLEANING YOUR MAGAZINE

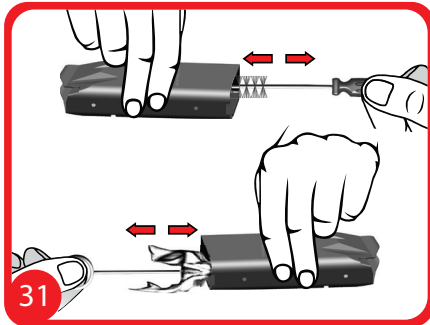
- Clean the fouling in the magazine using a bristle brush, moving it lightly inside the magazine up and down. Wipe the outside and inside of the magazine with Orlon brush and clean cloth. (Figure 31)
- Lightly lubricate inside of the magazine using an Orlon brush. (Figure 32)

#### **△ WARNING**

Remember that using chemicals (harsh solvents + chemicals) for cleaning the magazine will void the warranty.

### 6.6.3. ASSEMBLING YOUR MAGAZINE

Assemble in reverse order.



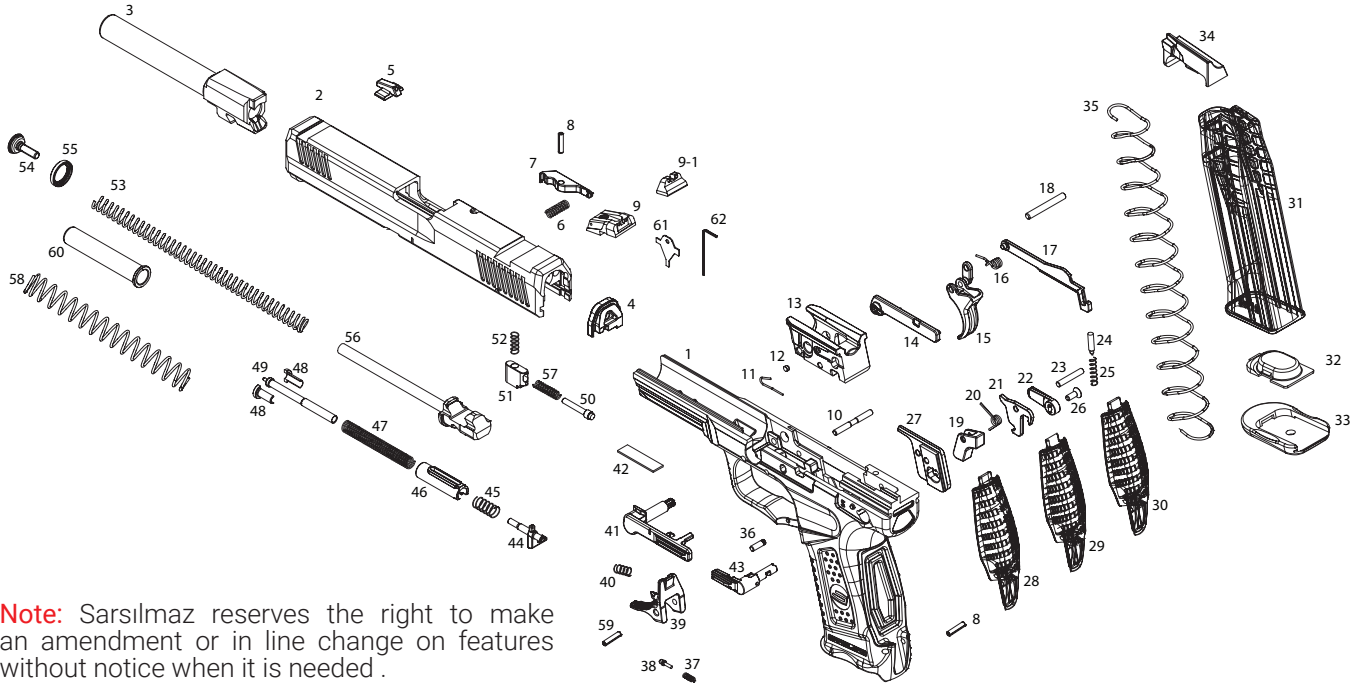
## 7. TROUBLESHOOTING

If your pistol stops firing with a live round in the chamber of a hot barrel misfire/or jam, remove the round and magazine immediately.

The following table outlines the problems and their reasons as well as suggestions with respect to firing.		
PROBLEM	REASON	SOLUTION
Hammer drops but round does not fire	Firing pin obstructed	Inspect, clean and lubricate the pistol
	Faulty ammunition	Manually cycle in next round
	Pistol requires service	Return to SAR USA
Slide does not close easily or completely	Pistol or cartridge is fouled (dirty) or pistol is too heavily lubricated	Clean and lubricate pistol and/or replace the ammunition
	Incorrect ammunition	Replace with correct ammunition.
	Pistol requires service	Return to SAR USA
No round fed into the chamber	Magazine not properly inserted or magazine is deformed or dirty	Clean magazine and insert properly or change magazine

## 8. EXPLODED VIEWS AND PART LISTS

### 8.1. ST9 EXPLODED VIEW

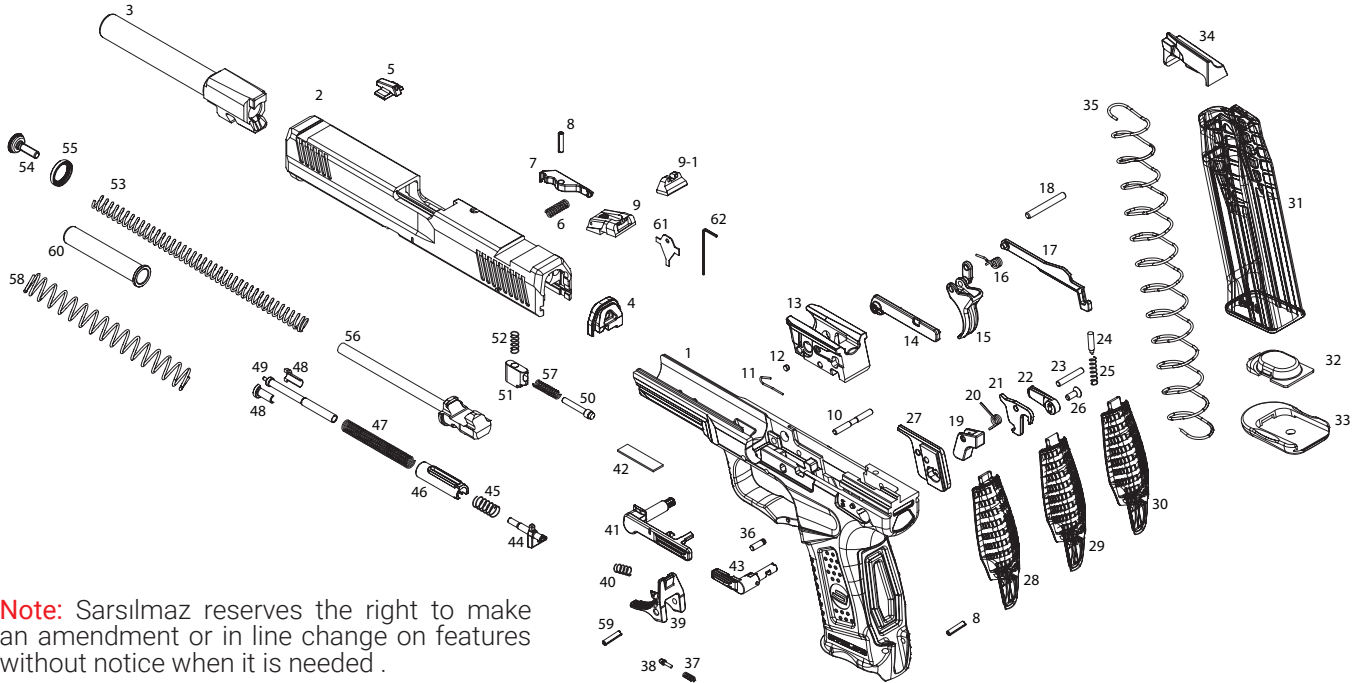


**Note:** Sarsilmaz reserves the right to make an amendment or in line change on features without notice when it is needed.

## PART LIST

NUMBER	PART NAME	NUMBER	PART NAME
1	FRAME	32	MAGAZINE INSERT
2	SLIDE	33	MAGAZINE FLOOR PLATE
3	BARREL	34	FOLLOWER
4	FIRING PIN CATCH	35	MAGAZINE SPRING
5	FRONT SIGHT	36	SEAR SPRING PIN
6	EXTRACTOR SPRING	37	SAFETY LEVER SPRING
7	EXTRACTOR	38	SAFETY LEVER PIN
8	PIN	39	MAGAZINE RELEASE
9	ADJUSTABLE REAR SIGHT	40	MAGAZINE RELEASE SPRING
9-1	REAR SIGHT	41	SLIDE RELEASE
10	TRIGGER PIN	42	SERIAL NUMBER PLATE
11	SLIDE RELEASE SPRING	43	SAFETY BUTTON
12	SLIDE RELEASE SPRING PIN	44	FIRING PIN REAR PART
13	SLIDE HOUSE	45	FIRING PIN RETURN SPRING
14	SLIDE RELEASE CAP	46	FIRING PIN SPACER SLEEVE
15	TRIGGER	47	FIRING PIN SPRING
16	TRIGGER SPRING	48	FIRING PIN SPRING CUPS
17	TRIGGER BAR	49	FIRING PIN
18	SLIDE HOUSE ROLL PIN	50	FIRING PIN BLOCK PIN
19	SEAR	51	FIRING PIN BLOCK
20	SEAR SPRING	52	FIRING PIN BLOCK SPRING
21	FIRING PIN BLOCK BUTTON	53	RECOIL SPRING, INNER
22	SAFETY BUTTON CAP	54	RECOIL PIN SCREW
23	SEAR RELEASE PIN	55	RECOIL PIN WASHER
24	TRIGGER BAR GUIDE	56	RECOIL PIN
25	TRIGGER BAR GUIDE SPRING	57	GUIDE SPRING
26	SAFETY BUTTON CAP SCREW	58	RECOIL SPRING, OUTER
27	EJECTOR	59	MAGAZINE RELEASE PIN
28	BACK STRAP LARGE	60	RECOIL GUIDE ROD PLUG
29	BACK STRAP MEDIUM	61	ADJUSTABLE REAR SIGHT KEY
30	BACK STRAP SMALL	62	ALLEN KEY
31	MAGAIZNE TUBE		

## 8.2. ST45 EXPLODED VIEW

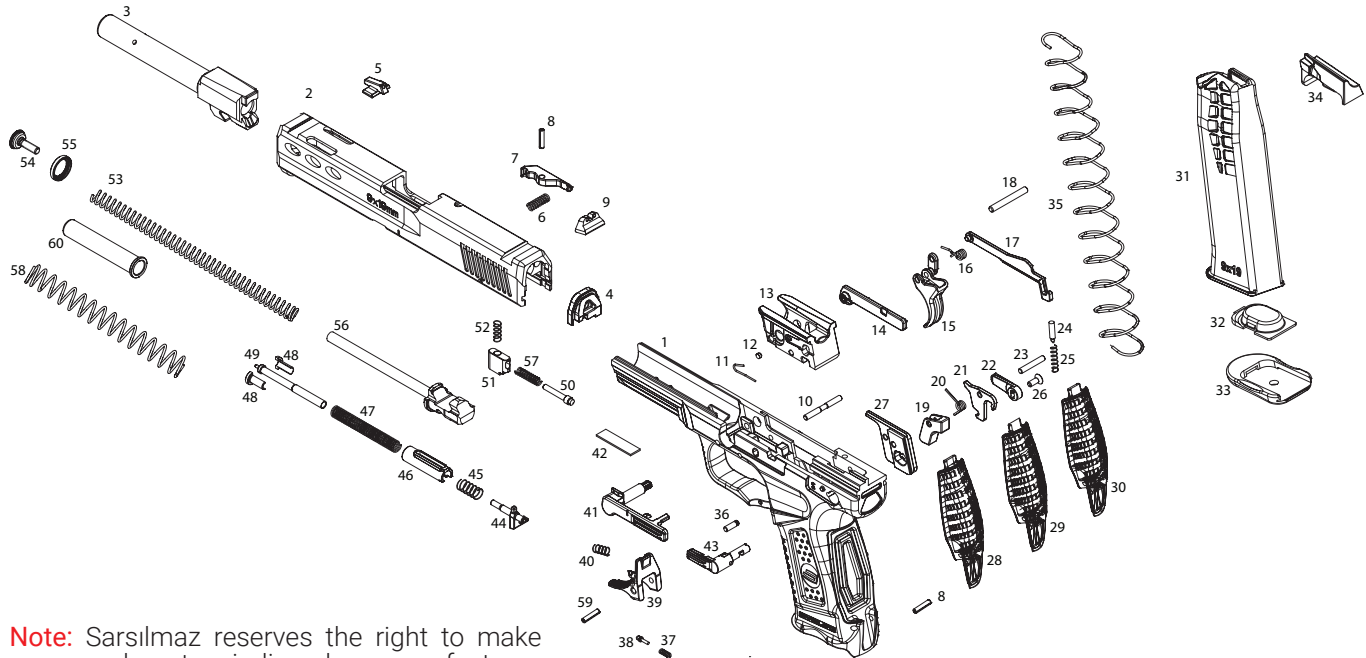


**Note:** Sarsilmaz reserves the right to make an amendment or in line change on features without notice when it is needed .

## PART LIST

NUMBER	PART NAME	NUMBER	PART NAME
1	FRAME	32	MAGAZINE INSERT
2	SLIDE	33	MAGAZINE FLOOR PLATE
3	BARREL	34	FOLLOWER
4	FIRING PIN CATCH	35	MAGAZINE SPRING
5	FRONT SIGHT	36	SEAR SPRING PIN
6	EXTRACTOR SPRING	37	SAFETY LEVER SPRING
7	EXTRACTOR	38	SAFETY LEVER PIN
8	PIN	39	MAGAZINE RELEASE
9	ADJUSTABLE REAR SIGHT	40	MAGAZINE RELEASE SPRING
9-1	REAR SIGHT	41	SLIDE RELEASE
10	TRIGGER PIN	42	SERIAL NUMBER PLATE
11	SLIDE RELEASE SPRING	43	SAFETY BUTTON
12	SLIDE RELEASE SPRING PIN	44	FIRING PIN REAR PART
13	SLIDE HOUSE	45	FIRING PIN RETURN SPRING
14	SLIDE RELEASE CAP	46	FIRING PIN SPACER SLEEVE
15	TRIGGER	47	FIRING PIN SPRING
16	TRIGGER SPRING	48	FIRING PIN SPRING CUPS
17	TRIGGER BAR	49	FIRING PIN
18	SLIDE HOUSE ROLL PIN	50	FIRING PIN BLOCK PIN
19	SEAR	51	FIRING PIN BLOCK
20	SEAR SPRING	52	FIRING PIN BLOCK SPRING
21	FIRING PIN BLOCK BUTTON	53	RECOIL SPRING, INNER
22	SAFETY BUTTON CAP	54	RECOIL PIN SCREW
23	SEAR RELEASE PIN	55	RECOIL PIN WASHER
24	TRIGGER BAR GUIDE	56	RECOIL PIN
25	TRIGGER BAR GUIDE SPRING	57	GUIDE SPRING
26	SAFETY BUTTON CAP SCREW	58	RECOIL SPRING, OUTER
27	EJECTOR	59	MAGAZINE RELEASE PIN
28	BACK STRAP LARGE	60	RECOIL GUIDE ROD PLUG
29	BACK STRAP MEDIUM	61	ADJUSTABLE REAR SIGHT KEY
30	BACK STRAP SMALL	62	ALLEN KEY
31	MAGAIZNE TUBE		

### 8.3. ST9-S / ST9-SS EXPLODED VIEW



**Note:** Sarsilmaz reserves the right to make an amendment or in line change on features without notice when it is needed .

## PART LIST

NUMBER	PART NAME	NUMBER	PART NAME
1	FRAME	32	MAGAZINE INSERT
2	SLIDE	33	MAGAZINE FLOOR PLATE
3	BARREL	34	FOLLOWER
4	FIRING PIN CATCH	35	MAGAZINE SPRING
5	FRONT SIGHT	36	SEAR SPRING PIN
6	EXTRACTOR SPRING	37	SAFETY LEVER SPRING
7	EXTRACTOR	38	SAFETY LEVER PIN
8	PIN	39	MAGAZINE RELEASE
9	ADJUSTABLE REAR SIGHT	40	MAGAZINE RELEASE SPRING
9-1	REAR SIGHT	41	SLIDE RELEASE
10	TRIGGER PIN	42	SERIAL NUMBER PLATE
11	SLIDE RELEASE SPRING	43	SAFETY BUTTON
12	SLIDE RELEASE SPRING PIN	44	FIRING PIN REAR PART
13	SLIDE HOUSE	45	FIRING PIN RETURN SPRING
14	SLIDE RELEASE CAP	46	FIRING PIN SPACER SLEEVE
15	TRIGGER	47	FIRING PIN SPRING
16	TRIGGER SPRING	48	FIRING PIN SPRING CUPS
17	TRIGGER BAR	49	FIRING PIN
18	SLIDE HOUSE ROLL PIN	50	FIRING PIN BLOCK PIN
19	SEAR	51	FIRING PIN BLOCK
20	SEAR SPRING	52	FIRING PIN BLOCK SPRING
21	FIRING PIN BLOCK BUTTON	53	RECOIL SPRING, INNER
22	SAFETY BUTTON CAP	54	RECOIL PIN SCREW
23	SEAR RELEASE PIN	55	RECOIL PIN WASHER
24	TRIGGER BAR GUIDE	56	RECOIL PIN
25	TRIGGER BAR GUIDE SPRING	57	GUIDE SPRING
26	SAFETY BUTTON CAP SCREW	58	RECOIL SPRING, OUTER
27	EJECTOR	59	MAGAZINE RELEASE PIN
28	BACK STRAP LARGE	60	RECOIL GUIDE ROD PLUG
29	BACK STRAP MEDIUM	61	ADJUSTABLE REAR SIGHT KEY
30	BACK STRAP SMALL	62	ALLEN KEY
31	MAGAIZNE TUBE		





1-877-SAR-GUNS  
1-877-727- 4867  
[www.sarusa.com](http://www.sarusa.com)